

# TYPE 4 JIC CLAMPED COVER ENCLOSURES

4-1



Industry Standards  
UL 508A, Type 4, 12, 13  
NEMA Type 4, 12, 13



UL File E235575

TYPE 4 ENCLOSURES

#### Application:

Designed to enclose electrical, electronic controls, instruments and components. Provides protection in areas that are hosed down or very wet.

#### Construction:

- Steel fabricated covers and enclosures.
- Smooth, continuously welded seams without knockouts, cutouts, or holes.
- Welded brackets provided for enclosure mounting.
- Cover is secured with stainless steel clamps.
- Doors sealed with closed cell, oil resistant gasket.
- Internal weld studs are provided for mounting optional inner panels.
- Grounding studs are provided.

#### Finish:

- ANSI 61 gray powder coating inside and out over phosphatized surfaces. Optional panels are powder coated white.

#### Accessories:

- Back panels (see reference chart, pg. 6-1).

#### Options:

- Custom sizes and colors available. Please call for details.

Enclosure Catalog Number	Enclosure Size H x W x D	Body/Door Steel Gauge	X	Back Panel Catalog Number			Back Panel Size A x B	Back Panel Gauge
				PP-0806	P2-0806	PS-0806		
N4J-080604	8.00" x 6.00" x 4.12"	16/16	3.62"	PP-0806	P2-0806	PS-0806	6.750" x 4.875"	14
N4J-100804	10.00" x 8.00" x 4.12"	16/16	3.62"	PP-1008	P2-1008	PS-1008	8.750" x 6.875"	14
N4J-121006	12.00" x 10.00" x 6.12"	16/16	5.62"	PP-1210	P2-1210	PS-1210	10.750" x 8.875"	14
N4J-141206	14.00" x 12.00" x 6.12"	16/16	5.62"	PP-1412	P2-1412	PS-1412	12.750" x 10.875"	14
N4J-141208	14.00" x 12.00" x 8.12"	16/16	7.62"	PP-1412	P2-1412	PS-1412	12.750" x 10.875"	14
N4J-161406	16.00" x 14.00" x 6.12"	14/14	5.62"	PP-1614	P2-1614	PS-1614	14.750" x 12.875"	14
N4J-161408	16.00" x 14.00" x 8.12"	14/14	7.62"	PP-1614	P2-1614	PS-1614	14.750" x 12.875"	14

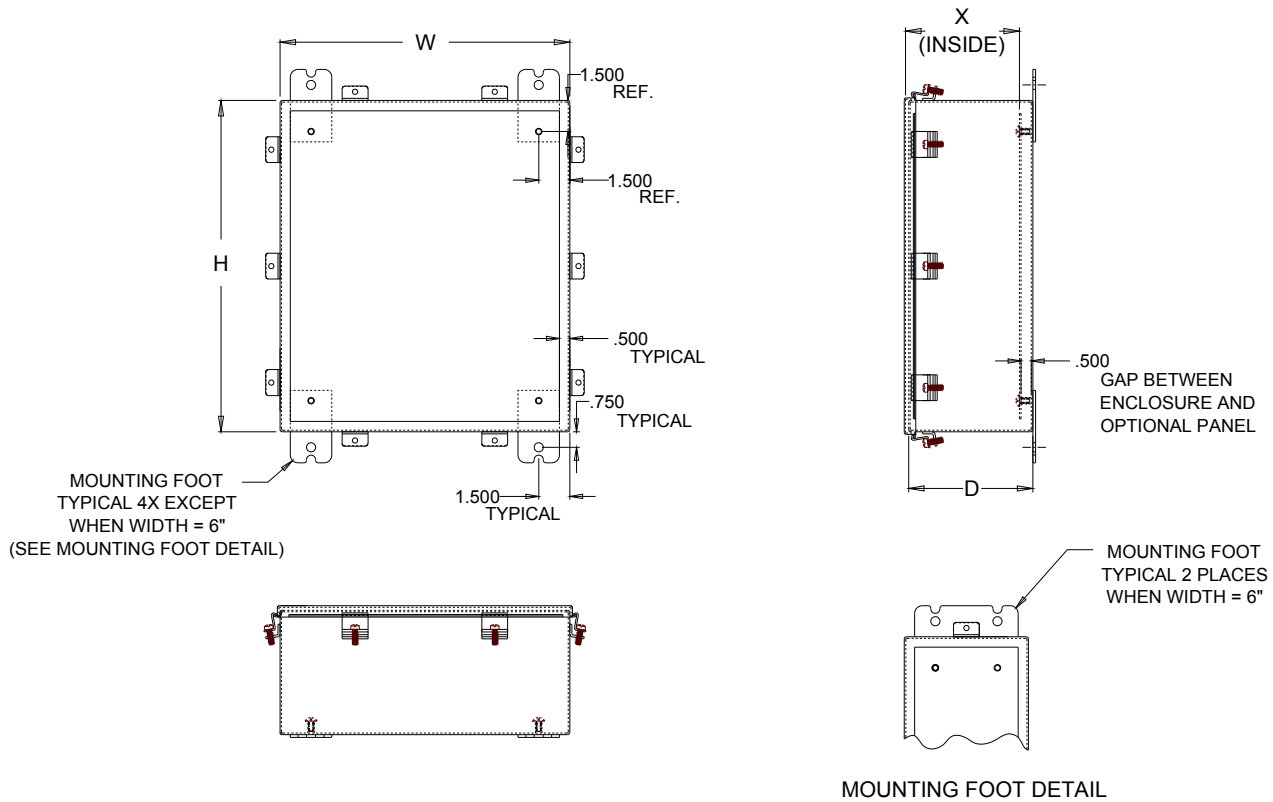


211 INDUSTRIAL COURT  
WABASHA, MN 55981

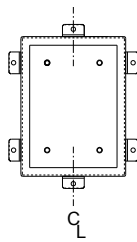
Phone: (651) 565-3395  
Fax: (651) 565-2787  
E-mail: [info@thomasindustriesinc.com](mailto:info@thomasindustriesinc.com)  
[www.thomasindustriesinc.com](http://www.thomasindustriesinc.com)

\*DATA SUBJECT TO CHANGE WITHOUT NOTICE

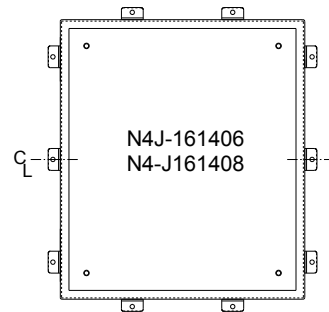
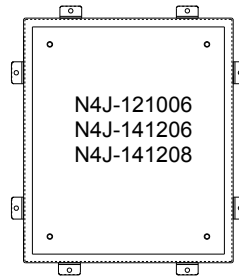
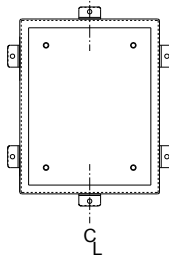
# TYPE 4 JIC CLAMPED COVER ENCLOSURES



N4J-080604



N4J-100804



211 INDUSTRIAL COURT  
WABASHA, MN 55981

Phone: (651) 565-3395  
Fax: (651) 565-2787  
E-mail: [info@thomasindustriesinc.com](mailto:info@thomasindustriesinc.com)  
[www.thomasindustriesinc.com](http://www.thomasindustriesinc.com)

\*DATA SUBJECT TO CHANGE WITHOUT NOTICE